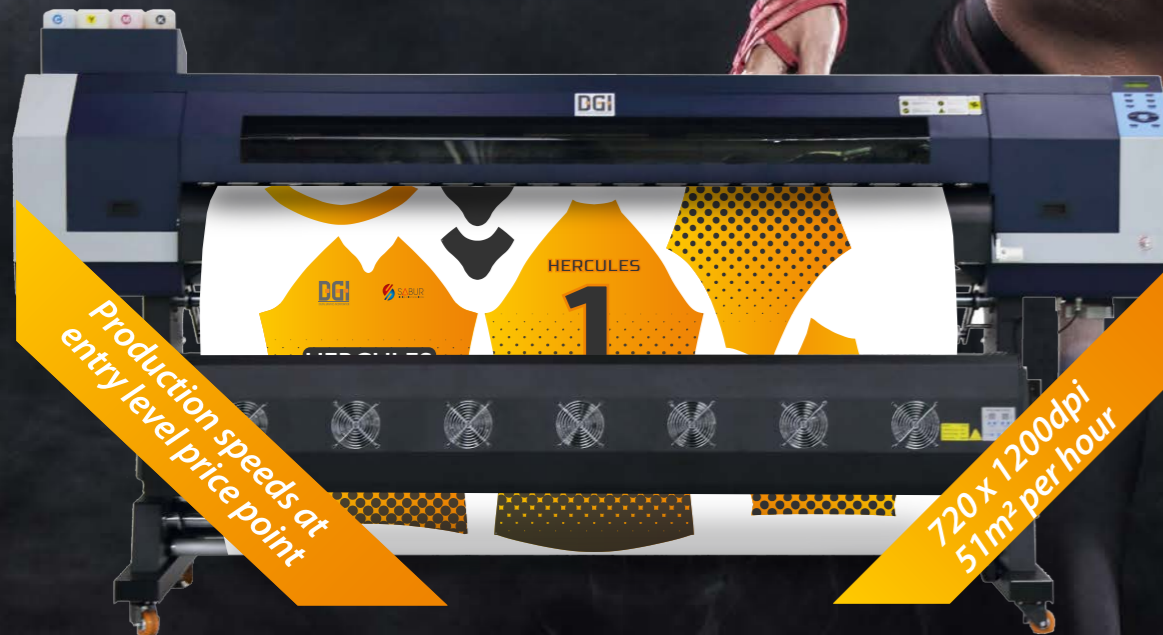


HERCULES

TEXTILE PRINTER

1.9M COST EFFECTIVE SUBLIMATION PRINTER

CHALLENGE DGI



- Twin Epson printhead technology
- Maximum resolution of 720x1800dpi
- Maximum print speed of 97m² per hour
- Upgraded pinch roller system to run lightweight sublimation papers
- Ergosoft Rip software
- Heavy duty take up system
- Excellent printing quality based on variable dot technology and various DGI Band Free (DBF) modes

1 YEAR WARRANTY

20+

SABUR DIGITAL PRINT SOLUTIONS

DGI DIGITAL GRAPHICS INCORPORATION

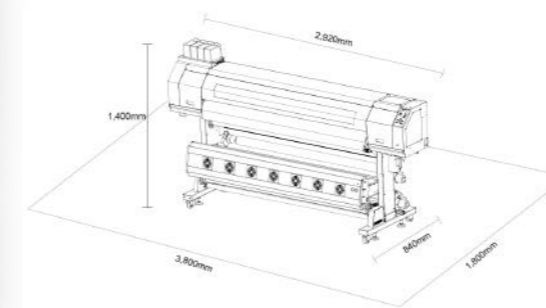


1 YEAR WARRANTY

PRINT SPEED	98m ² /hr	64m ² /hr	50m ² /hr	32m ² /hr
PRINT RESOLUTION	360 x 1200dpi 2Pass	360 x 1800dpi 3Pass	720 x 1200dpi 4Pass	720 x 1800dpi 8Pass
MAX PRINT WIDTH	1,940mm			
PRINTHEADS	Epson x2			
COLOURS	4 (CMYK)			
INK	DGI water based Dye Sublimation Ink			
RIP SOFTWARE	Ergosoft DGI Edition			
INTERFACE	TCP / IP/ USB 3.0			
ENVIRONMENT	Temperature: 16-28°C		Humidity: 35-65%	
ELECTRICITY REQUIREMENTS	Printer: Single Phase 220V (50/60Hz,AC) 8A External Dryer: Single Phase 220-240V (50/60Hz,AC) 22A			
APPLICATIONS	Sports / Fashion / Soft Furnishings / Soft Signage			

* All specifications are subject to change without notice.

DIMENSIONS



UNCRATED			
Length (mm)	Width (mm)	Height (mm)	Weight (kg)
2,930	840	1,600	300
CRATED			
Length (mm)	Width (mm)	Height (mm)	Weight (kg)
3,055	935	910	500

DGI Hercules is a new entry level 1.9m wide sublimation printer. This printer utilises Epson printhead technology enabling users excellent print speeds with variable dot technology alongside a 2.5pl droplet. DGI Hercules has a maximum print speed of 97m² per hour with a maximum resolution of 720x1800dpi.